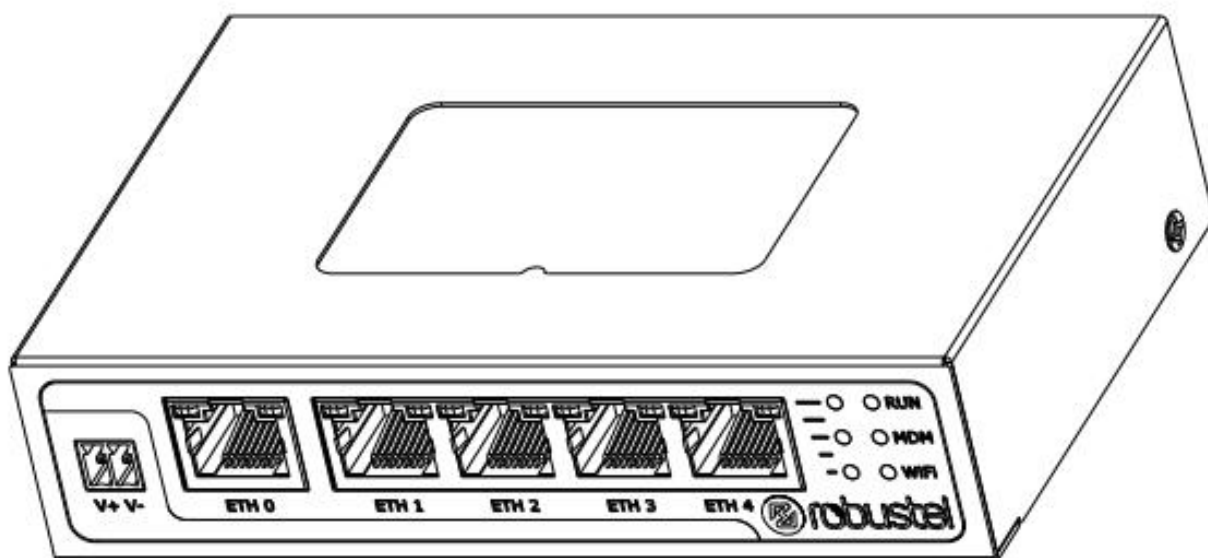


R2011

Hardware Manual



Version: 1.0.3

Date: September 4, 2024

Regulatory and Type Approval Information

Table 1: Toxic or Hazardous Substances or Elements with Defined Concentration Limits

Name of the Part	Hazardous Substances									
	(Pb)	(Hg)	(Cd)	(Cr(VI))	(PBB)	(PBDE)	(DEHP)	(BBP)	(DBP)	(DIBP)
Metal parts	X ^{1,2}	o	o	o	-	-	-	-	-	-
Circuit modules	o	o	o	o	o	o	o	o	o	o
Cables and cable assemblies	o	o	o	o	o	o	o	o	o	o
Plastic and polymeric parts	o	o	o	o	o	o	o	o	o	o

o:
Indicates that this toxic or hazardous substance contained in all of the homogeneous materials for this part is below the limit requirement in RoHS2.0.

X:
Indicates that this toxic or hazardous substance contained in at least one of the homogeneous materials for this part *might exceed* the limit requirement in RoHS2.0.

-:
Indicates that it does not contain the toxic or hazardous substance.

Note: Excessive lead can be exempted.

- Copper alloy containing up to 4 % lead by weight (RoHS Exemption 6(c)).
- Electrical and electronic components containing lead in a glass or ceramic other than dielectric ceramic in capacitors, e.g. piezoelectronic devices, or in a glass or ceramic matrix compound (ROHS Exemption 7(c)- I)

Radio Specifications for Europe

RF technologies	2G, 3G, 4G, Wi-Fi
Cellular Frequency*	2G GSM: B3/B8
	3G WCDMA: B1/B8
	4G LTE FDD: B1/B3/B7/B8/B20/B28A LTE-TDD: B38/B40/B41
Max RF power	33 dBm±2dB@GSM, 24 dBm+1/-3dB@WCDMA, 23 dBm±2dB@LTE, 18 dBm@Wi-Fi

* *May vary on difference models.*

Caution: The user is cautioned that changes or modifications not expressly approved by the party responsible for compliance could void the user's authority to operate the equipment.

This device contains licence-exempt transmitter(s)/receiver(s) that comply with Innovation, Science and Economic Development Canada's licence-exempt RSS(s) and Part 15 of the FCC Rules. Operation is subject to the following two conditions:

- (1) This device may not cause interference.
- (2) This device must accept any interference, including interference that may cause undesired operation of the device.

L'émetteur/récepteur exempt de licence contenu dans le présent appareil est conforme aux CNR d'Innovation, Sciences et Développement économique Canada applicables aux appareils radio exempts de licence. L'exploitation est autorisée aux deux conditions suivantes :

- (1) L'appareil ne doit pas produire de brouillage;
- (2) L'appareil doit accepter tout brouillage radioélectrique subi, même si le brouillage est susceptible d'en compromettre le fonctionnement.

Note: This equipment has been tested and found to comply with the limits for a Class B digital device, pursuant to Part 15 of the FCC Rules. These limits are designed to provide reasonable protection against harmful interference in a residential installation. This equipment generates, uses and can radiate radio frequency energy and, if not installed and used in accordance with the instructions, may cause harmful interference to radio communications. However, there is no guarantee that interference will not occur in a particular installation.

If this equipment does cause harmful interference to radio or television reception, which can be determined by turning the equipment off and on, the user is encouraged to try to correct the interference by one or more of the following measures:

- Reorient or relocate the receiving antenna.
- Increase the separation between the equipment and receiver.
- Connect the equipment into an outlet on a circuit different from that to which the receiver is connected.
- Consult the dealer or an experienced radio/TV technician for help.

FCC& IC Radiation Exposure Statement

This equipment complies with FCC and Canada radiation exposure limits set forth for an uncontrolled environment. This equipment should be installed and operated with a minimum distance of 20cm between the radiator and your body.

This transmitter must not be co-located or operating in conjunction with any other antenna or transmitter.

Déclaration d'IC sur l'exposition aux radiations

Cet équipement est conforme aux limites d'exposition aux radiations définies par le Canada pour des environnements non contrôlés. Cet équipement doit être installé et utilisé à une distance minimum de 20 cm entre l'antenne et votre corps.

Cet émetteur ne doit pas être installé au même endroit ni utilisé avec une autre antenne ou un autre émetteur.

Simplified EU & UK Declaration of Conformity

We, Guangzhou Robustel Co., Ltd. are located at 501, Building #2, 63 Yongan Road, Huangpu District, Guangzhou, China, declare that this radio equipment complies with EU Radio Equipment Directive (RED) 2014/53/EU, Low Voltage Directive (LVD) 2014/35/EU, EMC Directive 2014/30/EU, UK Radio Equipment Regulations 2017, EMC Regulations 2016, Electrical Equipment (Safety) Regulations 2016. The full text of the EU& UK DoC is available at the following internet address:

www.robustel.com/certifications/

Safety Information

General

- The router generates radio frequency (RF) power. When using the router, care must be taken on safety issues related to RF interference as well as regulations of RF equipment.
- Do not use your router in aircraft, hospitals, petrol stations or in places where using cellular products is prohibited.
- Be sure that the router will not be interfering with nearby equipment. For example: pacemakers or medical equipment. The antenna of the router should be away from computers, office equipment, home appliance, etc.
- An external antenna must be connected to the router for proper operation. Only uses approved antenna with the router. Please contact authorized distributor on finding an approved antenna.

RF exposure

- This device meets the official requirements for exposure to radio waves. This device is designed and manufactured not to exceed the emission limits for exposure to radio frequency (RF) energy set by authorized agencies.
- The device must be used with a minimum separation of 20 cm from a person's body to ensure compliance with RF exposure guidelines. Failure to observe these instructions could result in your RF exposure exceeding the applicable limits.

Note: Some airlines may permit the use of cellular phones while the aircraft is on the ground and the door is open. Router may be used at this time.



The symbol indicates that the product should not be mixed with general household waste but must be sent to separate collection facilities for recovery and recycling.



The symbol indicates that the product meets the requirements of the applicable EU directives.



The symbol indicates that the product meets the requirements of the relevant UK legislation.

WARNING:

This product can expose you to chemicals including Lead, known to the State of California to cause cancer and birth defects or other reproductive harm. For more information go to www.P65Warnings.ca.gov.

Related download link

Find more product documents or tools at:

www.robustel.com/documentations/

Technical Support

Tel: 4009-873-791

Email: support@robustel.com

Web: www.robustel.com

Document History

Updates between document versions are cumulative. Therefore, the latest document version contains all updates made to previous versions.

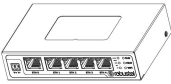
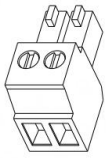


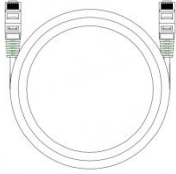




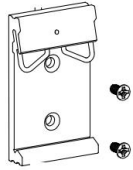
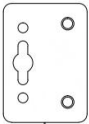
Date	Document Version	Change Description
July 6, 2022	1.0.0	Initial release.
November 28, 2022	1.0.1	Added declaration for product.
July 14, 2023	1.0.2	Modified declaration for product.
September 4, 2024	1.0.3	1. Added SIM card remarks. 2. Optimized product and accessory description.

Overview

Robustel R2011 Industrial Cellular Router is a rugged, versatile 4G router with 5 Ethernet ports, dual SIM single standby capability and a range of advanced functions for mission critical IoT or M2M applications.

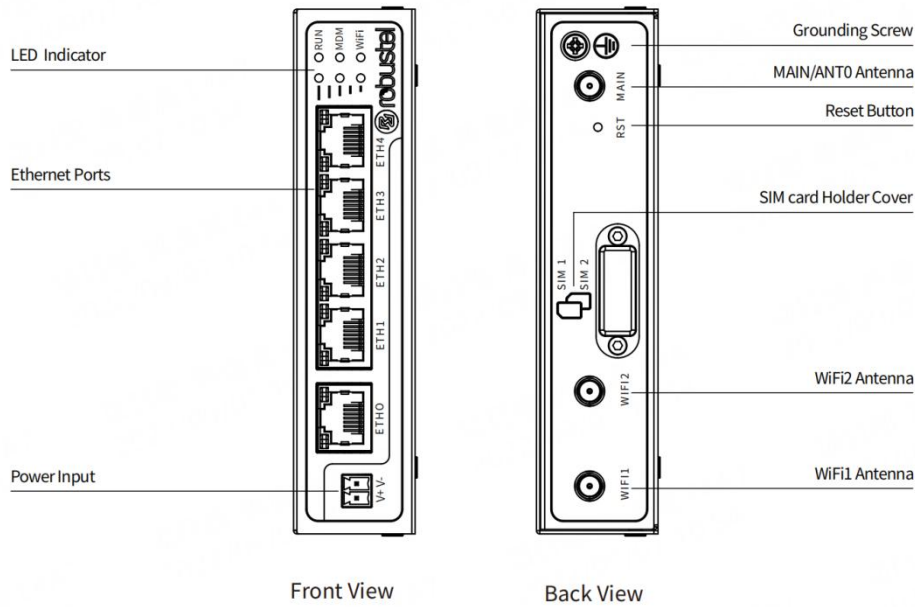
Package Checklist

Before commencing installation ensure your package has the following components:

<p>Device</p> 	<p>2-PIN Terminal Block</p> 	<p>Cellular Antenna</p> 	<p>Wi-Fi Antenna</p> 	<p>Ethernet Cable (Optional)</p> 
<p>Quick Start Guide Card</p> 	<p>RCMS Card</p> 	<p>QC Card</p> 	<p>Power Supply (Optional)</p> 	<p>35mm DIN rail (Optional)</p> 
<p>Wall mounting kit (Optional)</p> 				

Note: The accessories could be different on specific order.

Panel Layout(May vary on difference models)



Interface Descriptions

1. Power Supply. 2-pin 3.5 mm male terminal block

PIN	Description	Note	
1	V+	Positive	<p>Note: Voltage input range : 9-36V</p>
2	V-	Negative	

2. LED Indicator

Name	Color	Status	Description
RUN	Green	On, solid	Router is powered on (System is initializing)
		On, blinking	Router starts operating
		Off	Router is powered off
MDM	Green	On, solid	Successful link connection
		On, blinking	Link connection is working
		Off	Link connection is not working
Wi-Fi	Green	On, solid	Wi-Fi is working normally
		On, blinking	Data is sent and received
		Off	Wi-Fi is not working or abnormal
RSSI	Green	Three lights on	Signal Level: Best Signal Level Wireless module: 21-31 dB (Strong signal)
		Two lights on	Signal Level: Average Signal Level Wireless module: 10-20 dB (Moderate signal)
		One light on	Signal Level: Abnormal Signal Level Wireless module: 1-9 dB (Weak signal)
		Off	No signal

3. Reset Button

Feature	Operation
Reboot	Press and hold the RST button for 2~ 5 seconds under the operating status.
Restore to default configuration	Press and hold the RST button for 5~10 seconds, the RUN LED starts blinking quickly, the router will restore to default configuration.
Restore to factory default settings	Once the operation of restoring default configuration is performed twice within one minute, the router will restore to factory default settings.

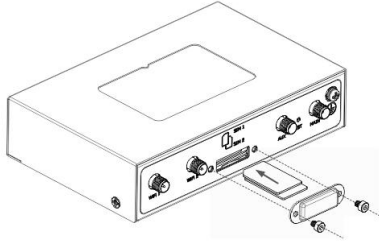
Note: The more details please refer to *RT123_SM_RobustOS Software Manual, Factory Reset*.

4. Ethernet Ports. There are five Ethernet ports on R2011 Gateway, including ETH0 (WAN/LAN) and ETH1, ETH2, ETH3, ETH4. Each has two LED indicators. The green one is a link indicator but the yellow one doesn't mean anything. For details about status, see the table below.

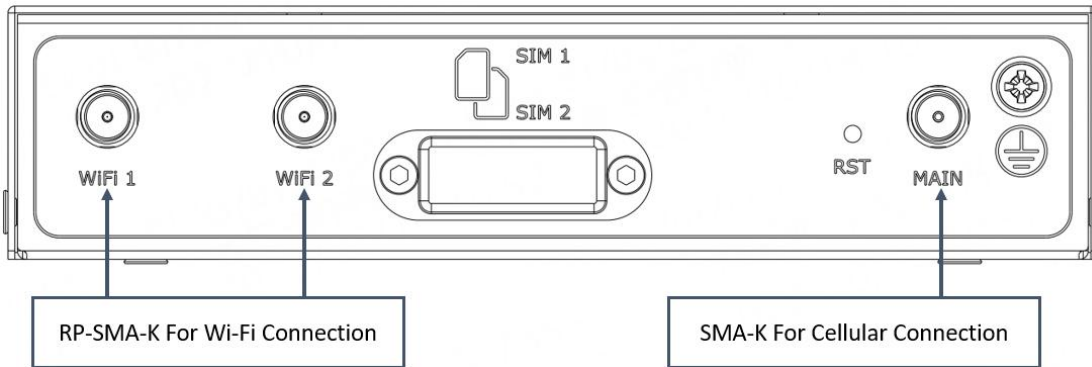
Ethernet LED Indicator	Status	Description
Link indicator (Green)	On, solid	Connection is established
	On, blinking	Data is being transferred
	Off	Connection is not established

Hardware Installation

- SIM Card Installation.** Remove the SIM card cover to insert the SIM cards into the device, then screw up the cover.
 *Note: To ensure optimal performance and compatibility, it is recommended to use 2FF SIM cards that meet industrial-grade standards and feature an integrated design.

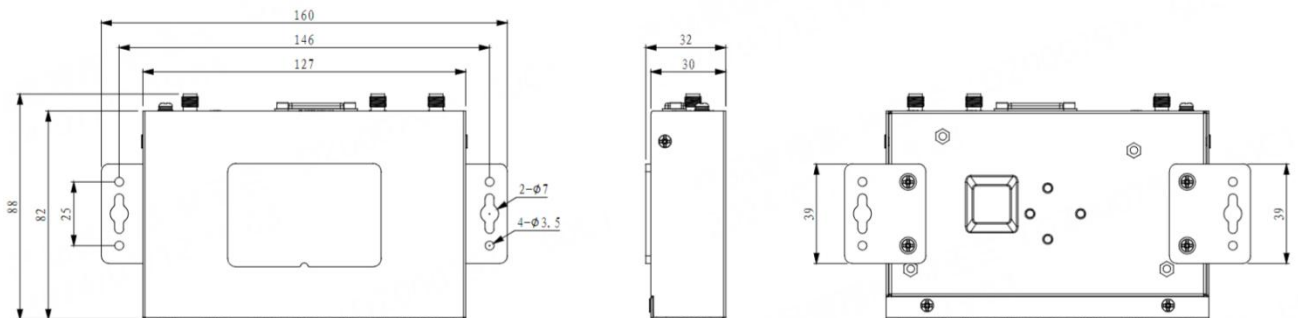


- Antenna Installation.** Rotate the antenna into the antenna connector accordingly. Here take the cellular antenna as example.

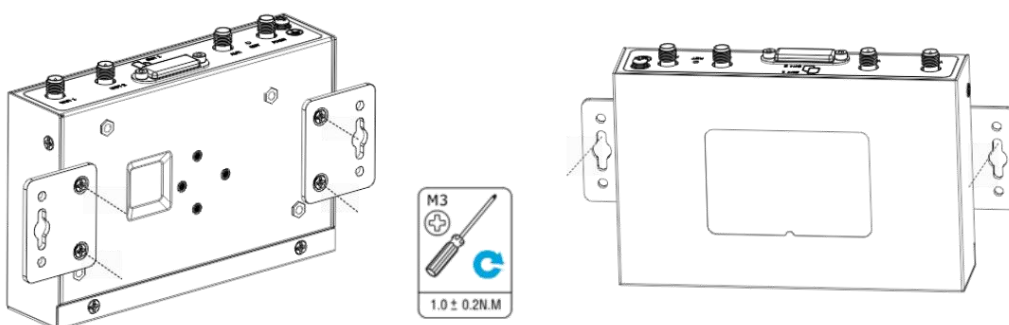


3. Mounting Kit installation.

- Wall-mounted Installation**
 Dimension diagram (unit:mm):

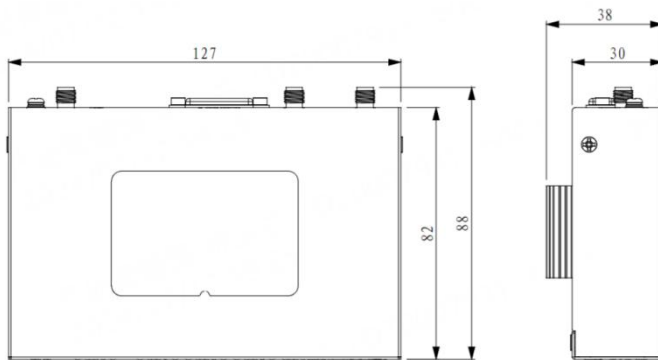


Installation method:

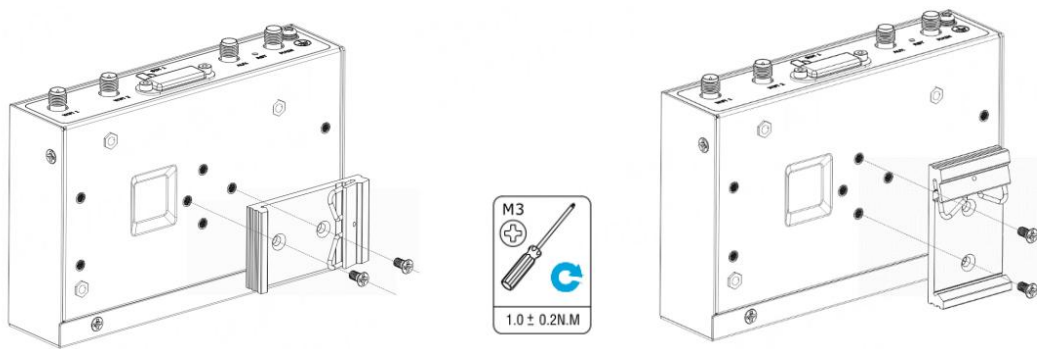


② 35mm DIN Rail Installation

Dimension diagram (unit:mm):



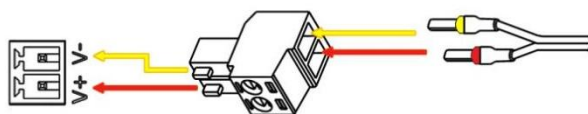
Installation method:



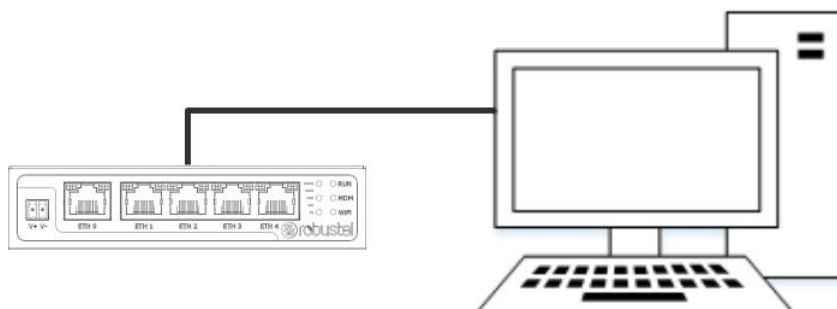
4. **Power Supply installation.** Insert the power supply cord into the corresponding terminal block if needed, then insert the terminal block into the power connector.

CONNECTING THE POWER CABLE

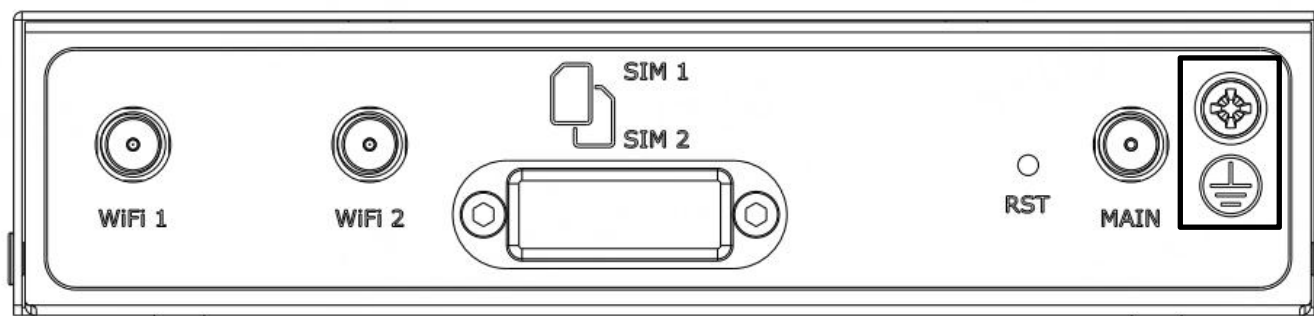
COLOR	POLARITY
RED	+
YELLOW	-



5. **Connect the Router to a Computer.** Use a standard network cable to connect the Ethernet port of the router to a PC, when it is configured as 5 LAN, it can be connected to (ETH0~ETH4); when it is configured as 1 WAN + 4 LAN, it can be connected to (ETH1~ETH4).

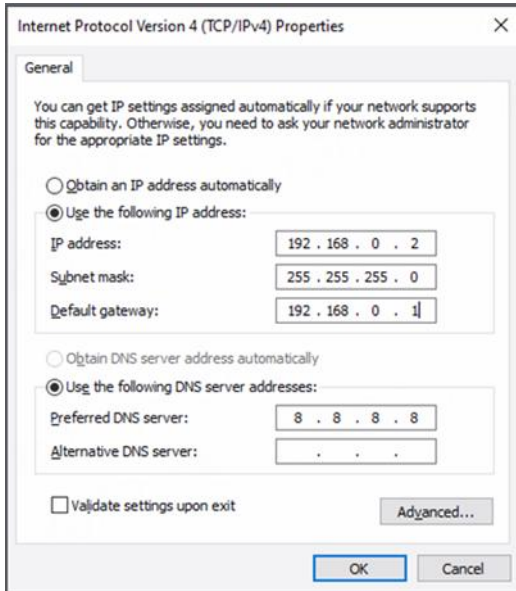


6. **Grounding the Device.** Grounding will help to prevent the noise effect due to electromagnetic interference (EMI). Connect the device to the site ground wire by the grounding screw before powering on.



Login to the Device

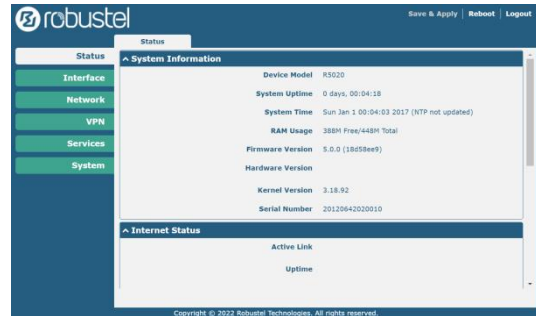
1. Connect the router’s Ethernet port to a PC with a standard Ethernet cable.
2. Before logging in, manually configure the PC with a static IP address on the same subnet as the gateway address, click and configure "Use the following IP address".



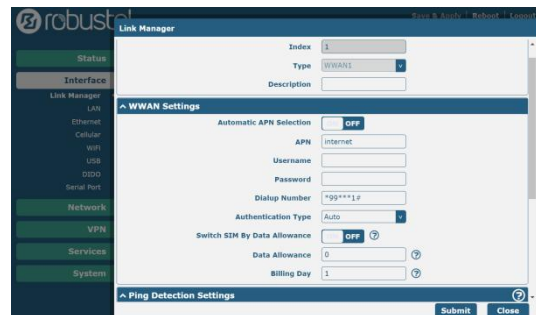
3. To enter the gateway's web interface, type http://192.168.0.1 into the URL field of your Internet browser.
4. Use login information shown in the product label when prompted for authentication.



5. After logging in, the home page of the web interface is displayed, then you can view system information and perform configuration on the device.



6. The automatic APN selection is ON by default, if need to specify your own APN, please go to the menu **Interface->Link Manager->Link Setting->WWAN Settings** to finish the specific setting.



7. The more configuration details please refer to **RT123_SM_RobustOS Software Manual**.
(END)